

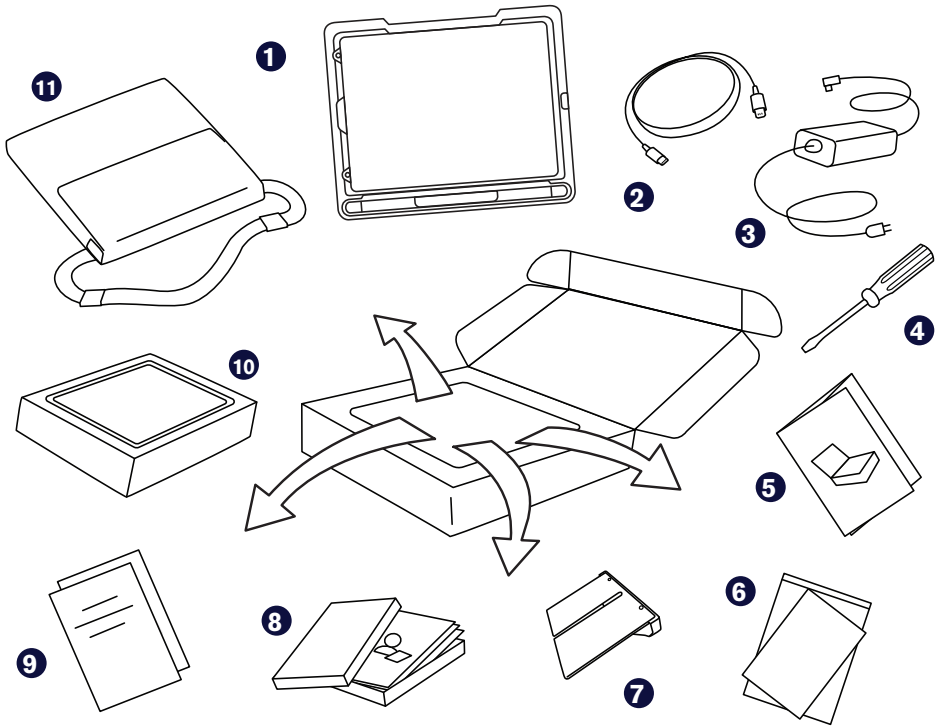


TD Pilot with TD Snap

Getting Started Guide



What's in the Box



1 Pre-assembled device

(iPad Pro 12.9, TD Pilot Base, Protective Case, ConnectIT/Rehadapt mount plate, Connection Cable USB-C to USB-C, Pre-Installed Battery)

**2 Connection cable
Lightning – USB C**

3 Charger with cable

4 Screwdriver

5 Getting Started Guide

**6 Safety and
Compliance document**

7 Adjustable Bracket

**8 TD Snap Core First
Training Cards**

9 Warranty documents

10 iPad Box
(containing iPad charger)

11 Carry bag

Let's Get Started

This Getting Started Guide is designed for two people: the person who will use the device to communicate and a helper who can touch the screen and move the device. The sections with the hand icon must be completed by the helper. The sections with the eye icon should be completed by the person who will access the device using eye gaze. When you have completed the steps in this guide, the individual will be able to use eye gaze to communicate in the TD Snap app.

Helper

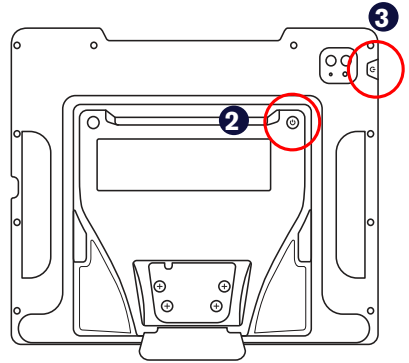


User



Power On

- 1 Connect the charger cable to the charging port on the side of the TD Pilot base, then plug the power cord into a socket.
- 2 Press the power button on the back of the TD Pilot to power it on.
- 3 Press the power button on the iPad to power it on.
- 4 Follow the on-screen prompts to set up the iPad.



When you have completed your iPad setup prompts, you'll see the Home screen containing your app icons.

Set Up TD Snap

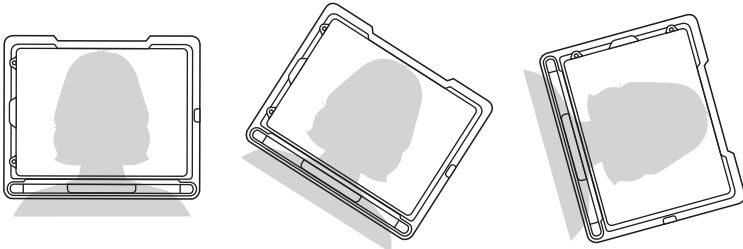
- 1 Select the **TD Snap** app.



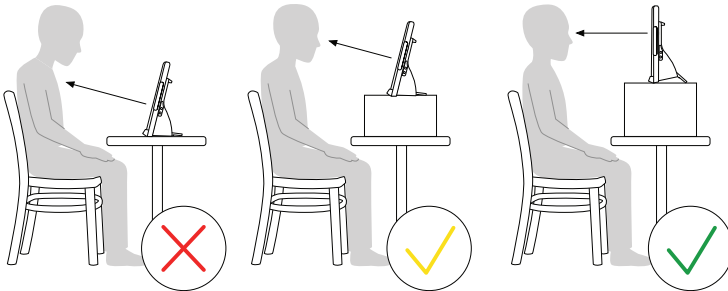
- 2 Follow the prompts to set up your TD Snap user. Remember to choose the Eye Gaze access method.

Mount and Position

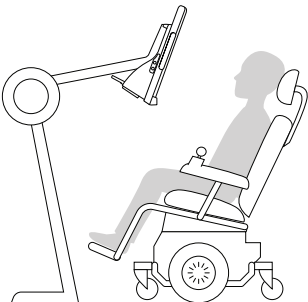
Prepare the user to start using eye tracking by positioning them comfortably. If they use glasses, make sure that they are wearing them and that the lenses are clean.



Place the TD Pilot on your mounting system or a stable surface in front of the user at, or slightly below, their eye level. If their head is tilted left or right, tilt the TD Pilot to match. It is important that the angle of the screen surface match the angle of the user's face. Most users, when seated at a table or desk, will need to have the TD Pilot positioned higher than the table surface.



You may need to refine the position of the device during the Calibrate steps on the next page. Always adjust the position of the device to suit the user, not the other way around.



Note: A mounting system is the best option for precise device positioning that is easy to adjust throughout the day. Several mounting options are available, including floor mounts, desk mounts, and wheelchair mounts. Visit [TobiiDynavox.com](https://www.tobii.com) or contact your local Tobii Dynavox partner.

Calibrate

- 1 Tap the **CoPilot** app.



- 2 Follow the on-screen instructions in CoPilot to calibrate the eye tracker to the user's eyes.
- 3 When the user has finished calibrating, swipe up from the bottom of the screen to return to the Home screen.

Ready!



Your TD Pilot is now ready to use. Launch TD Snap to start communicating.



Note: If you want to use apps other than TD Snap, see the TD Pilot User's Manual section on AssistiveTouch. Find the TD Pilot User's Manual in *TD CoPilot > Settings > Help > User's Manual*.

Continue to the TD Snap Training Cards

Continue your set up journey with the TD Snap Core First Training Cards that came in the box with your TD Pilot.

The training cards walk you through the features of TD Snap, basic editing, backing up your data, and some activities to help you integrate TD Snap into your daily life.



Tip: Customize your TD Snap eye gaze settings in *TD Snap > Edit > User > Access Method*.

Additional Resources

Scan the QR codes or use the links.



Tobii Dynavox

uk.tobiidynavox.com



Apple

apple.com/accessibility



myTobiiDynavox

mytobiidynavox.com



Tobii Dynavox Learning Hub (English only)

learn.tobiidynavox.com



TD Community

qrco.de/TDFB



TD Pilot Support Page

qrco.de/PilotHelpUK



TD Pilot User's Manual

qrco.de/PilotDocs



Documentation

TD CoPilot > Settings > Help



UK Technical Support

0114 481 0011

support.uk@tobiidynavox.com